

TUBI COLLECTION
PENDANT

SPECIFICATION SHEET
NORTH AMERICA

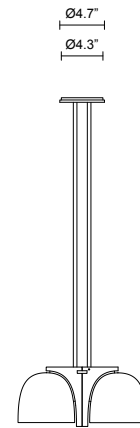
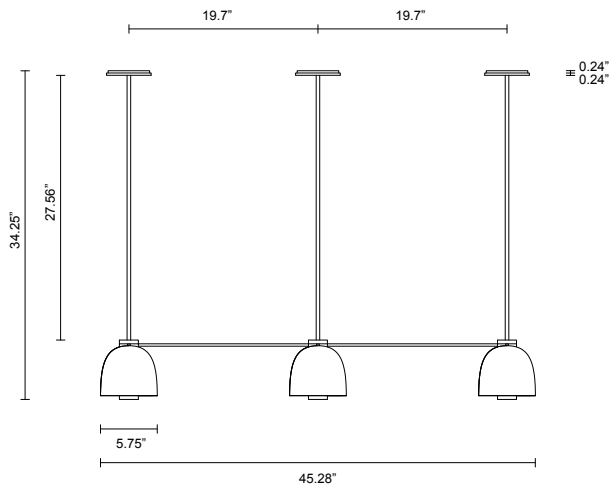
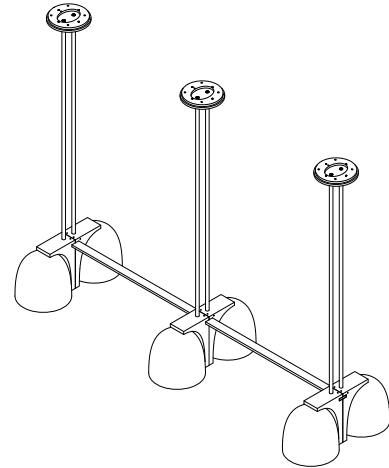
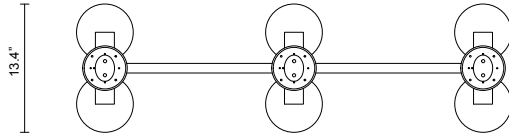


TUBI COLLECTION

PENDANT

SPECIFICATION SHEET

NORTH AMERICA



TU_P_UL_21V1

ABOUT TUBI

Tubi has emerged with a captivating sense of contemporary nostalgia reflective of the most impactful global design movements from mid-century onwards.

The collection's gilded materiality nods to the luxe glamour of Studio 54 which reverberates in memories and imaginations to this day, bringing the same alluring edge of iconic design to any space.

Tubi's mouth-blown glass and precious metal alchemy balances a spirited visual narrative with exquisite material aptitude to arrive at a collection that is as timeless as it is elegant.

LEAD TIME

8 - 10 weeks

LIGHT SOURCE

6 x 2.4W LED Board 200mA CC
2700k warm white
1500 total lumen output
Dimmable

INSTALLATION

Supplied with external drivers and mounting plates to fit 4.0/3.5 Jbox

ROD LENGTH

Rod lengths range between 23.6" (600mm) - 51.2" (1300mm), in increments of 3.94" (100mm).

WEIGHT

48.5 lb

FITTING FINISHES

Brass
Mid Bronze
Satin Nickel
Black Electroplate

SHADE COLOURS

Clear
Snow
Smoke
Grey

CERTIFICATION

US/ETL/CA

WARRANTY

3 years