

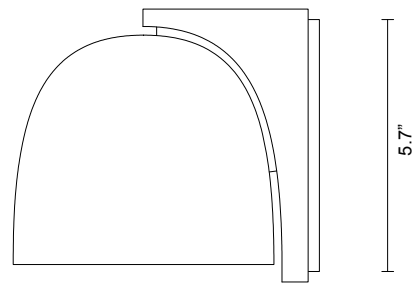
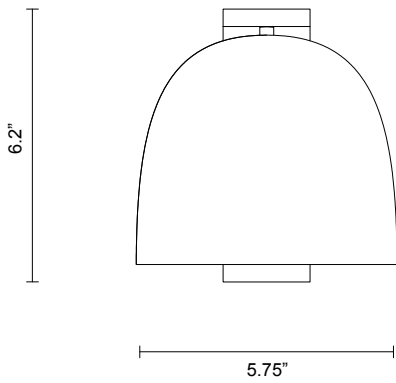
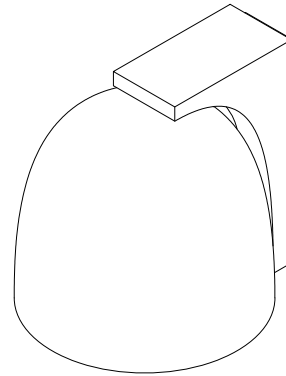
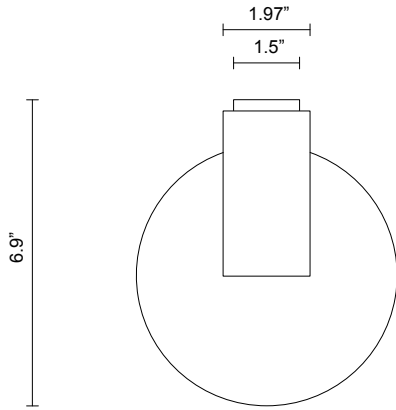


TUBI COLLECTION

WALL SCONCE

SPECIFICATION SHEET

NORTH AMERICA



TU_WS_UL_21V1

ABOUT TUBI

Tubi has emerged with a captivating sense of contemporary nostalgia reflective of the most impactful global design movements from mid-century onwards.

The collection's gilded materiality nods to the luxe glamour of Studio 54 which reverberates in memories and imaginations to this day, bringing the same alluring edge of iconic design to any space.

Tubi's mouth-blown glass and precious metal alchemy balances a spirited visual narrative with exquisite material aptitude to arrive at a collection that is as timeless as it is elegant.

LEAD TIME

8 - 10 weeks

LIGHT SOURCE

2.4W LED Board 200mA CC
2700k warm white
250 lumens
Dimmable

INSTALLATION

Supplied with external driver
and mounting plate to fit 4.0/3.5
Jbox

WEIGHT

6.5 lb

CERTIFICATION

US/ETL/CA

WARRANTY

3 years

FITTING FINISHES

Brass
Mid Bronze
Satin Nickel
Black Electroplate

SHADE COLOURS

Clear
Snow
Smoke
Grey